

## PLUS - Static Preparation 1200 mm Worktop Cupboard with Upstand

ITEM # \_\_\_\_\_

MODEL # \_\_\_\_\_

NAME # \_\_\_\_\_

SIS # \_\_\_\_\_

AIA # \_\_\_\_\_


**134034 (GTN1210E)**

WorkTop Cupboard with 1 shelf, 2 sliding doors and upstand, 1200mm

### Short Form Specification

**Item No.** \_\_\_\_\_

Enhanced stability and solid construction thanks to the welded frame and legs. The 50mm high worktop in 304 AISI stainless steel, with Scotch Brite finishing 15/10 mm in thickness, has anti-drip edges and welded corners. 18mm thick undertop waterproof reinforcement, it's completely waterproof, double-sided laminated and 100% recyclable. Sound-deadened double walled sliding doors on roll bearings with end limit stop (7/10 in thickness in 304 AISI stainless steel). Upstand h=100mm with 10mm radius corner covered on the back with AISI 304 stainless steel spot welded profile. 40mm intermediate shelf (8/10 in thickness) can be positioned at three different heights. Base panel in AISI 304 stainless steel (8/10 in thickness) with upturned edges reinforced by stainless steel AISI 304 bars. Welded to the legs for further structure reinforcement. Height adjustable feet (-20/+30 mm) in 304 AISI stainless steel.

### Main Features

- Enhanced stability and solid construction. Stability, loading and stress tests by external certified body.
- Product range suitable for international tenders requirements for intense usage installations.

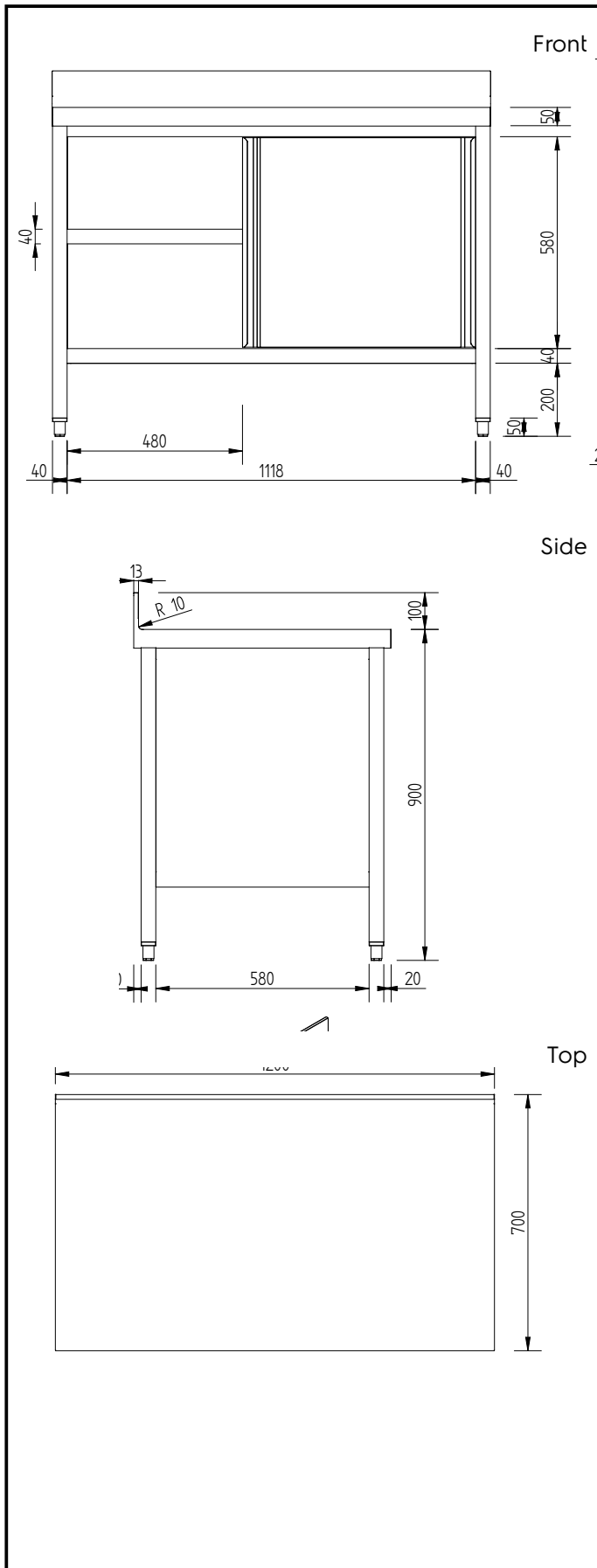
### Construction

- Welded frame and legs.
- Worktop with 50 mm high profile, in s/s Scotch Brite finishing, 15/10 in thickness with anti-drip edges and welded corners.
- Constructed entirely in 304 AISI stainless steel.
- Undertop is 18mm in thickness, reinforced, completely waterproof, double-sided laminated and 100% recyclable.
- Upstand back completely covered with Stainless Steel welded profile.
- Door sliding system is fluent and reliable, tested with over 80.000 cycles by external certified body.
- Sliding doors are in stainless steel and double-walled with sound-deadening material inside. They are 7/10mm in thickness with roll bearings and end limit stop.
- Cupboard interior has easy access thanks to completely openable doors.
- Intermediate shelf has 40mm high profile, is 8/10 in thickness with upturned edges and bar reinforcement. It can be positioned at three different heights.
- Base panel has 40mm high profile, is 8/10 in thickness with upturned edges and bar reinforcement. It is welded to legs for further structure reinforcement.
- Height-adjustable stainless steel feet (-20/+30mm).

### Optional Accessories

- Set of 4 wheels (2 with brake), PNC 855207  diameter=125mm

**APPROVAL:** \_\_\_\_\_



### Key Information:

|                                     |           |            |
|-------------------------------------|-----------|------------|
| <b>Adjustable Feet</b>              |           |            |
| 134034 (GTN1210E)                   |           | -20/+30 mm |
| <b>Cabinet width:</b>               | 1118 mm   |            |
| <b>Cabinet depth:</b>               | 580 mm    |            |
| <b>Cabinet height:</b>              | 580 mm    |            |
| <b>External dimensions, Width:</b>  | 1200 mm   |            |
| <b>External dimensions, Depth:</b>  | 700 mm    |            |
| <b>External dimensions, Height:</b> | 1000 mm   |            |
| <b>Upstand Dimensions, Height:</b>  | 100 mm    |            |
| <b>Upstand Dimensions, Depth:</b>   | 13 mm     |            |
| <b>Upstand Dimensions, Radius:</b>  | R=10      |            |
| <b>Number and type of doors:</b>    | 2 Sliding |            |
| <b>Worktop thickness:</b>           | 50 mm     |            |
| <b>Net weight:</b>                  | 66 kg     |            |